



Electrolux
PROFESSIONAL

**Modular Cooking Range Line
900XP Gas Automatic Pasta
Cooker 190 litres**

ITEM # _____

MODEL # _____

NAME # _____

SIS # _____

AIA # _____



391115 (E9PCGLISF0)

Automatic Pasta Cooker-
direct gas 160/190lt with
1x20kg tilting baskets

Short Form Specification

Item No. _____

High efficiency 30 kW burners. Suitable for natural gas or LPG. Constant water level refill and water topping up. The 190 liter tank is pressed in 316-L type stainless steel and features only rounded corners. Adjustable stainless steel feet, 50 mm in height. Body and base of unit entirely in stainless steel. Heavy duty stainless steel internal frame. Insulated lid and counter-balancing springs to simplify use.

Main Features

- High productivity and quality thanks to the high thermal efficiency and automatic cooking time control.
- Water basin fitted with overflow pipe to eliminate foam.
- Large drainage tap is provided on which baskets can be placed for draining purposes.
- 190 liters water basin in 316-L AISI Stainless Steel.
- Constant water level refill.
- Automatic water topping.
- Automatic ignition when water reaches minimum level and probe with electrovalve to protect from overheating in case of water absence.
- Digital timer guarantees precise settings of cooking parameters.
- Simple and functional control panel.
- The special design of the control knob system guarantees against water infiltration.
- Elevating basket is automatically tilted at the end of the cooking cycle.
- Combustion chamber and load bearing frame in stainless steel.
- Burners in stainless steel with pilot light, safety valve and flame failure device.
- Piezo spark ignition with thermocouple for added safety.
- Heavy duty internal frame in Stainless steel and external panelling with satin finish.
- IPX5 water protection.

APPROVAL: _____

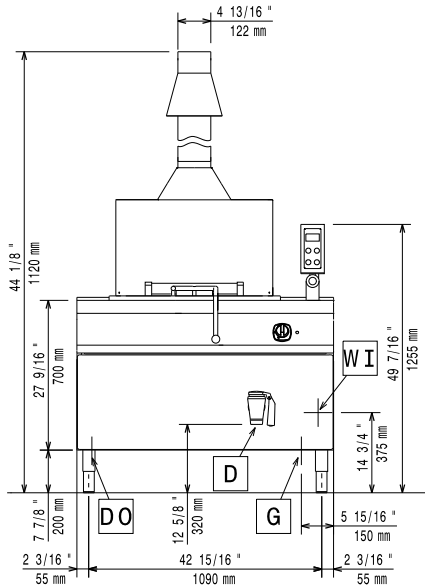


Experience the Excellence
www.electroluxprofessional.com

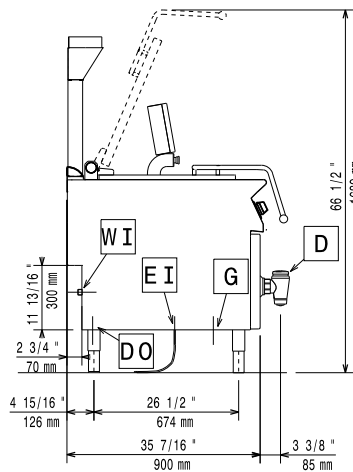
Optional Accessories

- Draught diverter, 150 mm diameter PNC 206132
- Matching ring for flue condenser, 150 mm diameter PNC 206133
- Frontal kicking strip for concrete installation, 1200mm PNC 206151
- Frontal kicking strip for concrete installation, 1600mm PNC 206152
- Frontal kicking strip, 1200mm (not for refr-freezer base) PNC 206178
- Frontal kicking strip, 1600mm (not for refr-freezer base) PNC 206179
- Pair of side kicking strips (not for refr-freezer base) PNC 206180
- Frontal kicking strip for 23lt fryers in two parts PNC 206203
- Flue condenser for 1 module, 150 mm diameter PNC 206246
- Base support for feet or wheels - 1200mm (700/900) PNC 206368
- Base support for feet or wheels - 1600mm (700/900) PNC 206369
- Base support for feet or wheels - 2000mm (700/900) PNC 206370
- Rear paneling - 1200mm (700/900) PNC 206376
- 2 side covering panels for free standing appliances PNC 216134
- Trolley with lifting & removable tank PNC 922403

Front

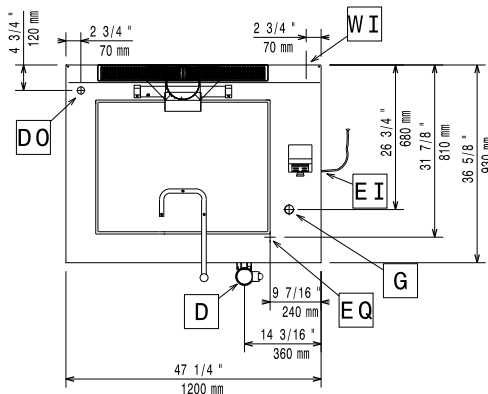


Side



D = Drain
 EI = Electrical inlet (power)
 EQ = Equipotential screw
 G = Gas connection
 WI = Water inlet

Top



Gas

Gas Power: 30 kW
Standard gas delivery: Natural Gas G20 (20mbar)
Gas Type Option: LPG; Natural Gas
Gas Inlet: 3/4"

Water:

Total hardness: 5-50 ppm
Drain "D": 2"
Incoming Cold/hot Water line size: 3/4"

Electrolux Professional recommends the use of treated water, based on testing of specific water conditions. Please refer to user manual for detailed water quality information.

Key Information:

Number of wells: 1
Usable well dimensions (width): 740 mm
Usable well dimensions (height): 465 mm
Usable well dimensions (depth): 550 mm
Well Capacity (MAX): 190 lt MAX
Net weight: 212 kg
Shipping weight: 216 kg
Shipping height: 1500 mm
Shipping width: 1300 mm
Shipping depth: 1100 mm
Shipping volume: 2.15 m³
Certification group: GGPC20

If appliance is set up or next to or against temperature sensitive furniture or similar, a safety gap of approximately 150 mm should be maintained or some form of heat insulation fitted.